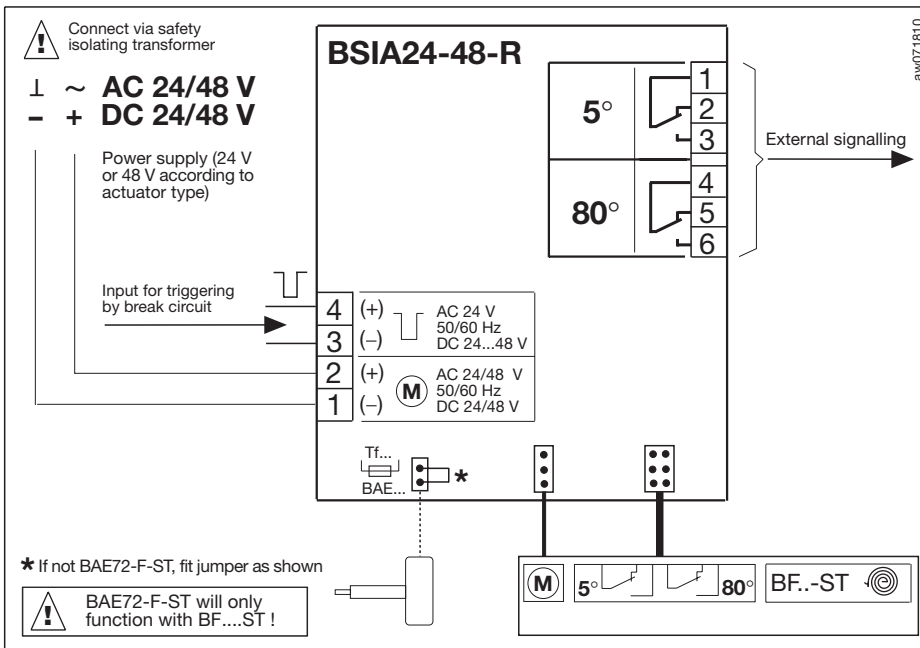




ap009806

**Wiring diagram**



Technical data	BSIA24-48-R
Nominal voltage (according to actuator type)	AC 24/48 V 50/60 Hz DC 24/48 V
Nominal voltage range	AC/DC 20.4 ... 57.6 V
For wire sizing (terminals 1/2)	1.5 VA @ 24 V / 3.5 VA @ 48 V (without actuator)
Power consumption (terminals 1/2) (terminals 3/4)	1 W @ 24 V / 1.5 W @ 48 V (without actuator) 0.2 W @ 24 V / 0.4 W @ 48 V
Connection	Screw terminals for 1 x 2.5 mm <sup>2</sup>
Power supply input for actuator (terminals 1/2)	AC 24/48 V or DC 24/48 V (24 V or 48 V according to connected actuator type)
Input for triggering by break circuit (terminals 3/4)	AC 24 V or DC 24 ... 48 V 0.7 s ± 0.2 s (NFS 61.937/524)
Protection class	III (NFC 20.030)
Degree of protection	IP 42 (NFS 61.937/423)
Ambient temperature range	- 30 ... + 50° C (+ 70° C / 1 h)
EMC	CE according to 89/336/EEC and 92/31/EEC
Box	NFC 20.445 / NFS 61.937
Maintenance	maintenance free
Weight	250 g

Subject to technical changes / 10.98

**Safety function triggered by break circuit**

Electrical isolation of circuit components in safe/operating modes

Pluggable connections for actuator and tripping device BAE72-F-ST

Adapter box with IP42 protection for strain-relief cable glands

**Application**

Control of BF24...-ST, BF48...-ST actuators for fire dampers.

**Mode of operation**

The energise command (power to terminals 1/2) brings the actuator to the operating or ready state.

It is essential to ensure that power is also available at terminals 3/4.

A voltage break of 0.7 s duration to terminals 3/4 brings the actuator to the safe state, which is sustained and takes absolute priority over the ready state.

To return the actuator to the ready state, the power supply to terminals 1/2 must be interrupted for approximately 5 s in order to erase the safe-state memory.

The components of the operating and safe mode circuits are electrically isolated from each other. This means that the pulse triggering can also be effected from a separate power source if necessary.

Signalling of damper position is brought to limit switch terminals 1/2 (safe state) and 4/6 (ready state).

**Electrical accessories**

BAE72-F-ST Thermoelectric tripping devices  
BAE72-S-F-ST

**Mechanical accessories**

ZSN-BF Mounting kit for auxiliary switches SN1, SN2

**Note**

BSIA24-48-R is only licensed in France together with BF... devices. Actuators that remain energised in the safe state, e.g. BR... types, may not be used.

**Dimensions**

